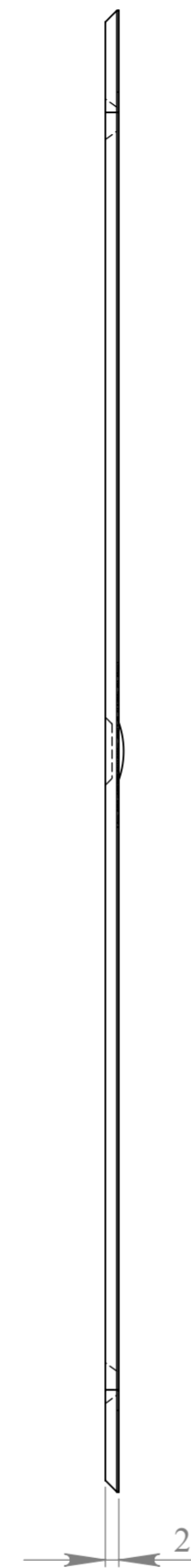
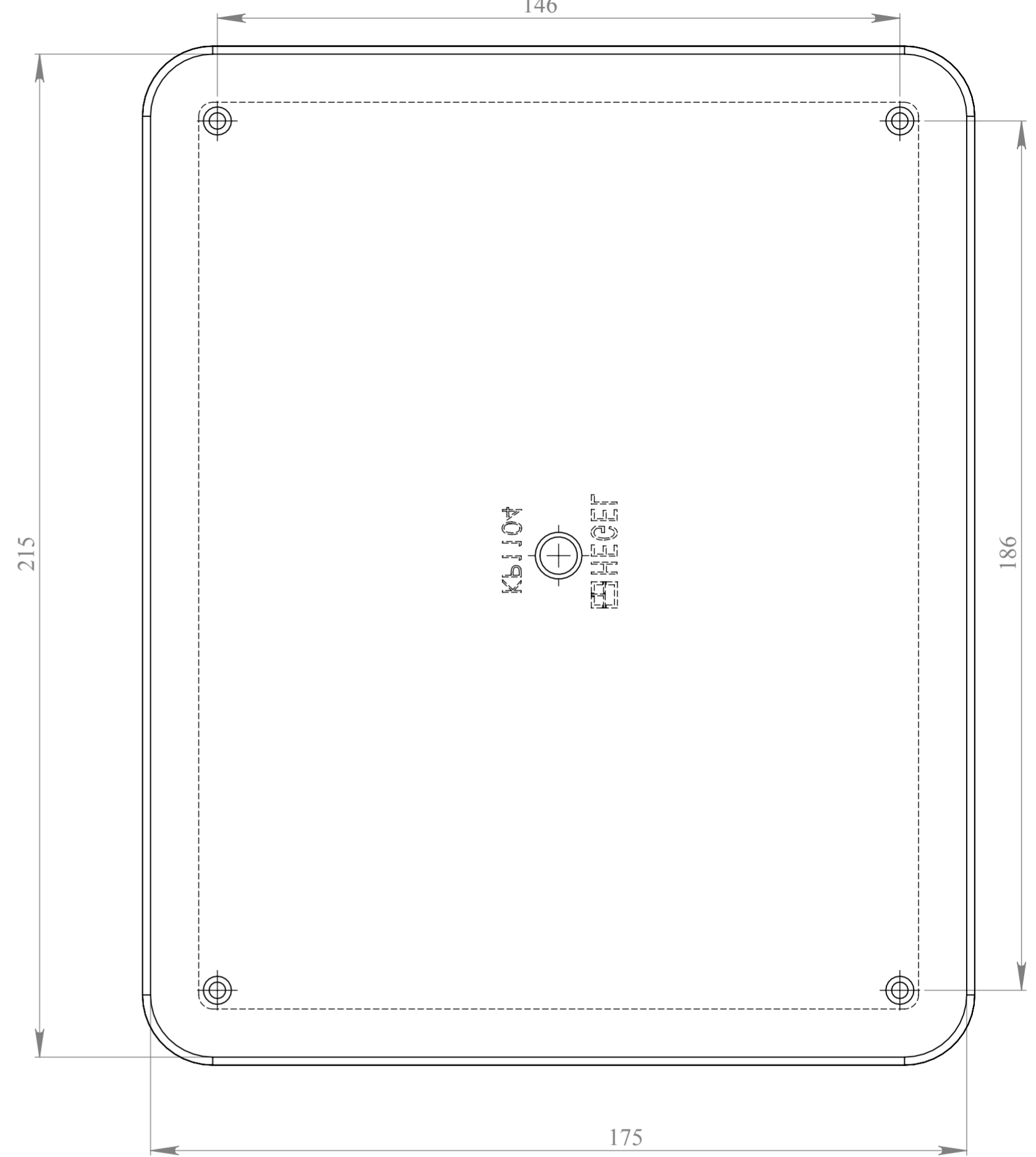


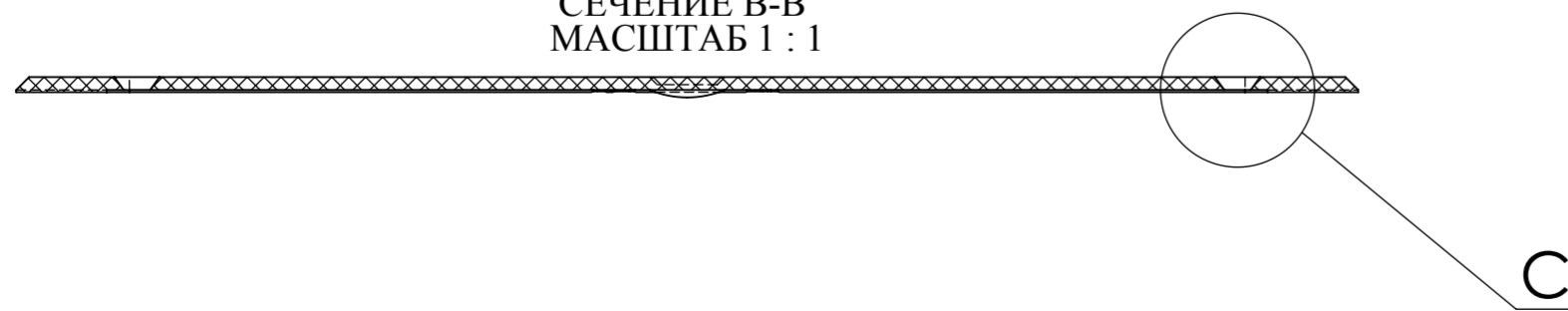
A



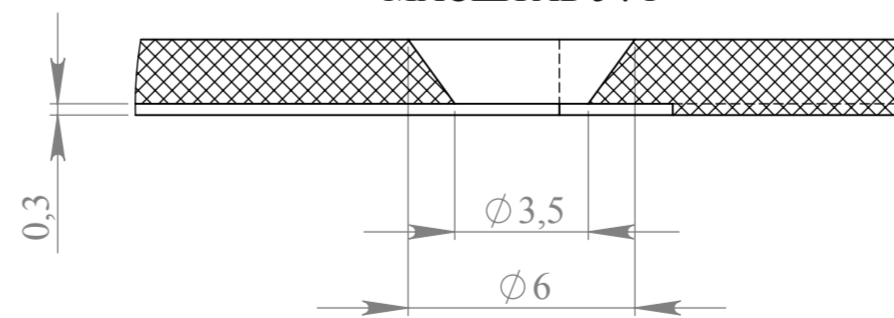
ВИД А
МАСШТАБ 1 : 1



СЕЧЕНИЕ В-В
МАСШТАБ 1 : 1



МЕСТНЫЙ
МАСШТАБ 5 : 1



UNLESS OTHERWISE SPECIFIED: DIMENSIONS ARE IN MILLIMETERS		FINISH:		DEBUR AND BREAK SHARP EDGES		DO NOT SCALE DRAWING		REVISION		
SURFACE FINISH:										
TOLERANCES:										
LINEAR:										
ANGULAR:										
DRAWN:	NAME	SIGNATURE	DATE			TITLE:				
CHK'D:										
APP'V'D:										
MFG:										
Q.A.						MATERIAL:	DWG NO:		Крышка KR1104	A2
						WEIGHT:	SCALE:1:2		SHEET 1 OF 1	